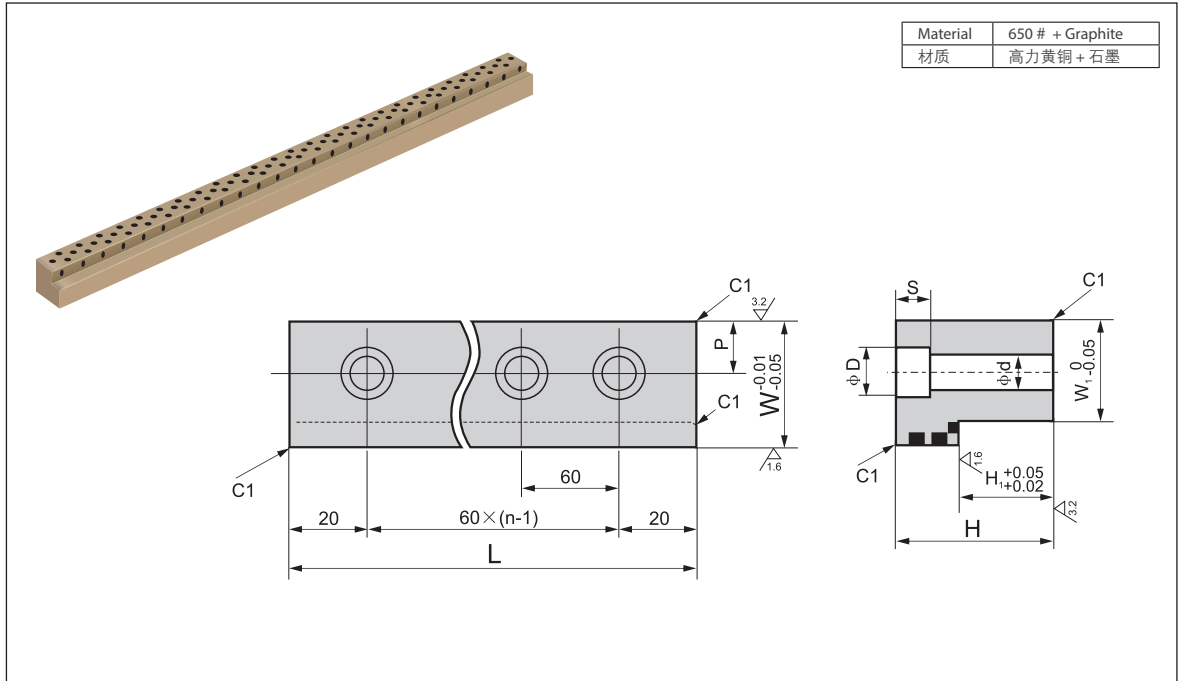


## JGL自润滑板 JGL Oilless Wear Plate



Unit (单位): mm

型号规格 Standard No.	W	W <sub>1</sub>	L	H	H <sub>1</sub>	n	p	φ D	φ d	S
JGL-100 × 30			100			2				
JGL-160 × 30			160	30	15	3				
JGL-220 × 30			220			4	7.5	11	7	7
JGL-100 × 41	23	15	100			2				
JGL-160 × 41			160	41	26	3				
JGL-220 × 41			220			4				
JGL-100 × 25			100			2				
JGL-160 × 25			160	25	10	3				
JGL-220 × 25			220			4				
JGL-100 × 35			100			2	10	18	11	13
JGL-160 × 35	28	20	160	35	15	3				
JGL-220 × 35			220			4				
JGL-100 × 56			100			2				
JGL-160 × 56			160	56	26	3	10	14	9	10
JGL-220 × 56			220			4				