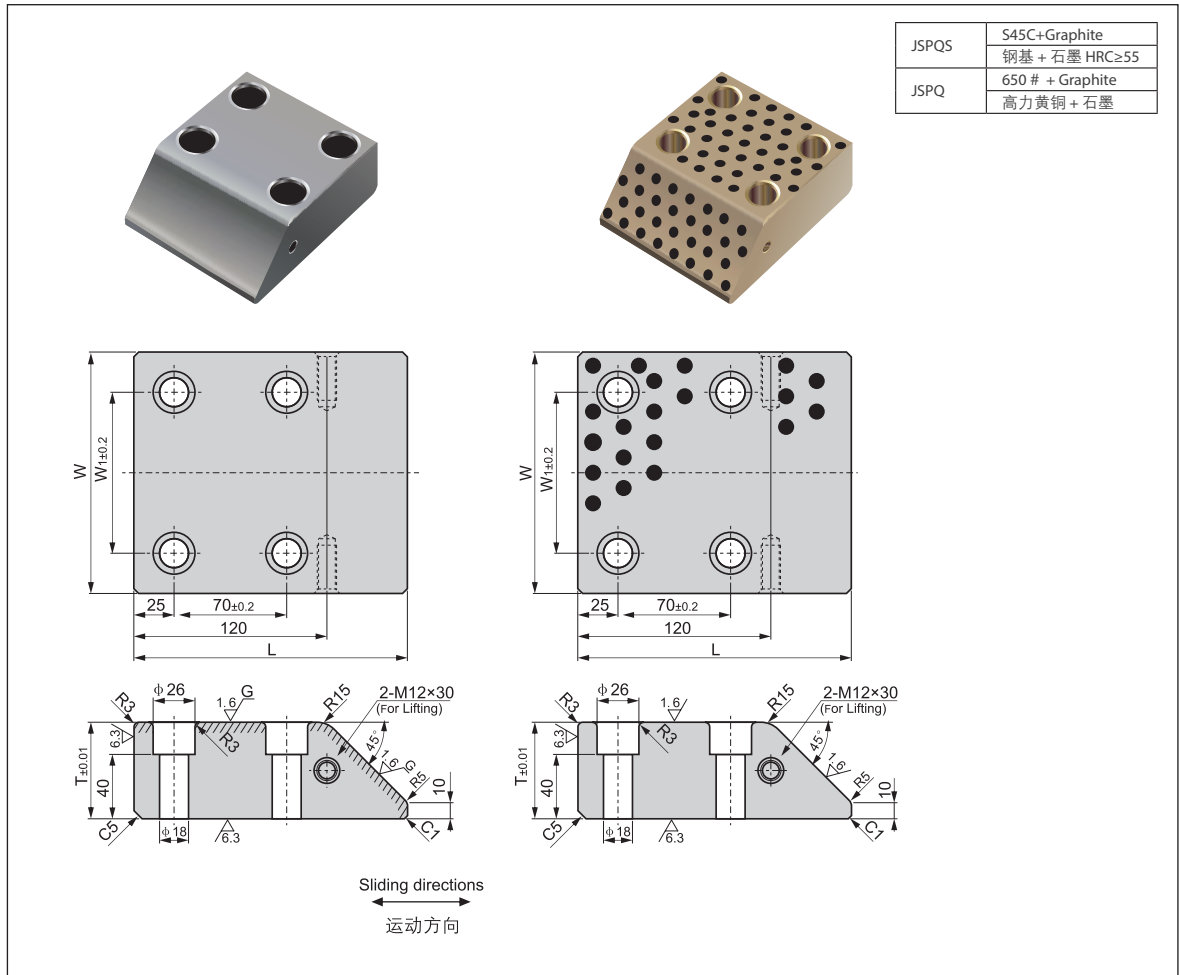


JSPQ, JSPQS 凸轮行程滑板 JSPQ, JSPQS Cam Stroke Plate



Unit (单位): mm

型号规格 Standard No.	W	L	T	W ₁
JSPQ/JSPQS-150 × 170	150	170	60	100
JSPQ/JSPQS-150 × 200		200	90	
JSPQ/JSPQS-200 × 170	200	170	60	140
JSPQ/JSPQS-200 × 200		200	90	